



Product features:

- Metal construction throughout
- Custom designed for lower range pressures
- Single lever control for effortless single handed control
- Supplied complete with flexible tail pipes for fast simple fitting
- A modern design classic style

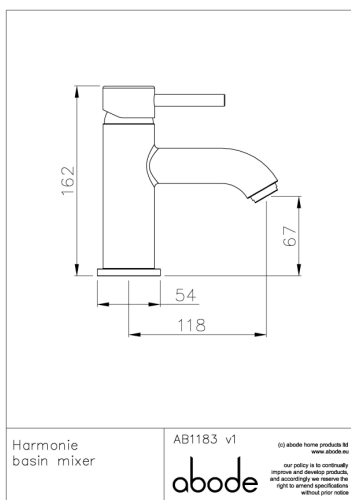
Packaged properties:

Box length (mm): 395 Box depth(mm): 95
 Box width(mm): 165 Boxed weight (Kg): 1.7

Includes pop up waste?: No

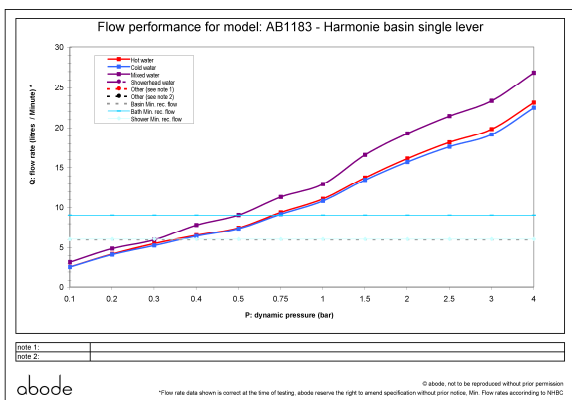
Additional comments:

Product dimensions:



- **Product mounted where:** Surface
- **Recommended hole size:**
- **Overall Height / projection:** 162 mm
- **Exit reach:** 118 mm
- **Exit height:** 67 mm
- **Base size:** 54 mm
- **Inlet centre distance(s):**
- **Min. fitting depth required:** 90 mm
- **Max. surface depth:**

Product flow characteristics:



- **Min / Max water pressure (bar):** 0.30* / 5.00
- **Part G max. mixed flow rate at 3 bar (l/m):** 23.3
- **Inlet connection type / length:** Flexible / 520 mm
- **Inlet (plumbing connection) / outlet size:** 1/2" F / m10
- **Product flow characteristics:** Single flow
- **Non return valve(s) supplied or position:**
- **Aerator type:** White flow straightener
- **Control valve type:** Single lever (35mm)
- **Includes output diverter?:** No
- **Inlet meshed particle filters included:**
- **Shower hose type / length:**

Warranty Summary (full details available on request):

- Materials and workmanship defects warranted for 5 years
- Valves and working parts warranted for 5 years
- Surface warranty defects warranted for 1 year
- O-rings, hoses & gaskets warranted for 1 year

Care instructions:

- Clean the mixers and showers regularly as required, using soap, do not use any other cleaners.
- Regular cleaning will prevent the build up of lime scale and dirt
- After cleaning rinse thoroughly with clean water to remove any cleaner residue
- Residues of liquid soaps, shampoos and shower foams can also cause damage, so rinse with clean water after using, avoid contact with any abrasives