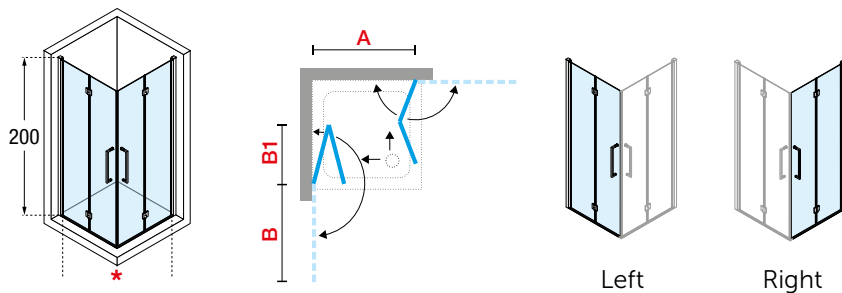


YOUNG 2.0 2GS CORNER ENTRY BI-FOLD

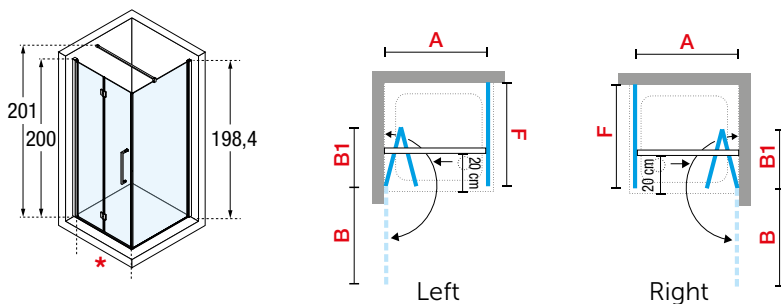
CORNER ENTRY, 2 HINGED FOLDING DOORS
TO COMPLETE A CORNER ENTRY, ORDER 2 SIDES (1 RIGHT SIDE + 1 LEFT SIDE)

Dimensions					Code	Hand
Size	Actual dimensions	Access	Projection			
	A	*	B	B1		
STANDARD						
76	73 ↔ 75	92	65	31,6	678017	Left
76	73 ↔ 75	92	65	31,6	289879	Right
90	87 ↔ 89	112	79	38,6	678022	Left
90	87 ↔ 89	112	79	38,6	872091	Right
OTHER SIZES						
◇	75 ↔ 77	95	67	32,6	289881	Left
◇	75 ↔ 77	95	67	32,6	872087	Right



SIDE PANEL

Dimensions					Code
Size	Actual dimensions	Access	Projection		
	A	*	B	B1	
76	73 ↔ 75	◇	◇	◇	289911
◇	75 ↔ 77	◇	◇	◇	289912
◇	85 ↔ 87	◇	◇	◇	678051
90	87 ↔ 89	◇	◇	◇	872121



TECHNICAL DATA

GLASS TYPES (European standards UNI EN 14428)



Clear
COD. 1

PROFILE COLOURS



Chrome
COD. K

HANDLES



Chromed metal handles

ALUMINIUM

Zero-emission integrated production cycle, 100% environmentally friendly. Limescale proof, resistant to bacterial action, durable and ecological brightness.



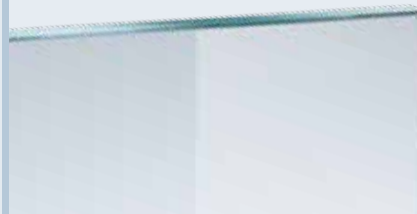
**100% CR6 + free
PVD Metallisation**

GLASS

We have always focused on safety in the use of our products and in particular in the production and utilisation of safety glasses that are able to avoid or minimise the risk of accidents due to impact, fragmentation, breakage or fire. Our production cycle is subject to strict periodical checks by the certifying bodies. It is for this reason that we can confirm that the glass used for all of our products complies with UNI EN14428:2015 with reference to EN12150-1:2015 and ISO7892 standard.

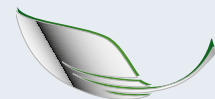


Glass from 4 to 8 mm produced internally. Always shiny, easy to clean, given its non-drip system which slows down the formation of limescale and bacteria.



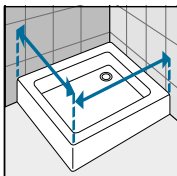
COMPONENTS

All of our products are designed and created with quality, safety, innovation and respect for the environment in mind. Production processes with a low environmental impact, control of toxic substance emissions and energy savings are fundamental driver. The PVD chrome plating is the "green" alternative to the technologies based on traditional galvanic process. No carcinogenic chemical agents or mutagens such as Cr6+ and CR3+, solvents and waste liquids are used. PVD metallisation is ecological also thanks to the low energy consumption and the reduced production of special waste.



**GreenCoat
100% CR6+ free
Plastic PVD metallisation**

HOW TO TAKE THE MEASUREMENTS



Take the measurements from wall to the external edge of the shower tray. Dimensions must be taken once the walls are finished and tiled, according to the above drawings.