

TECHNICAL DATA SHEET



Product Code: 219797

Product Description: iflo Imiri Bath Shower Mixer

Product Specification

Material:
Solid brass with a duragleam chrome finish

Fittings:
Brass back nuts

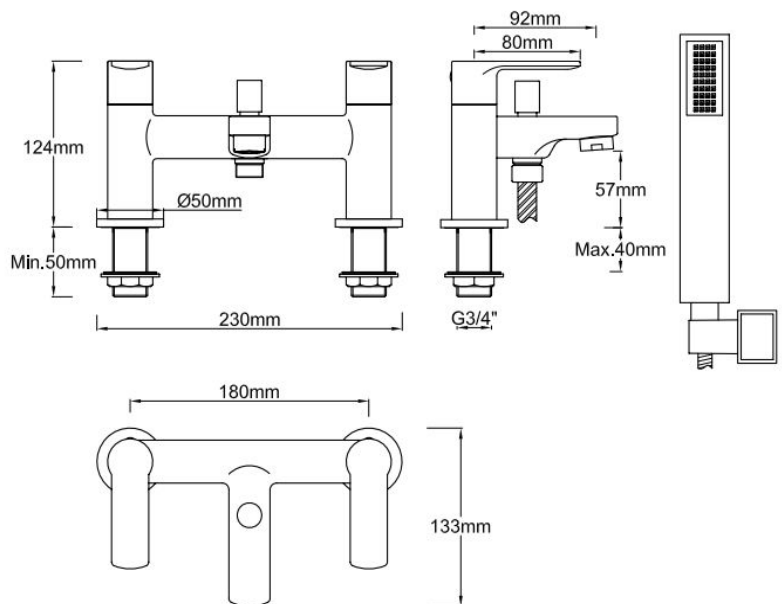
Systems:
Suitable for high and low pressure systems
Suitable for Gravity fed systems
Suitable for Unvented systems
Suitable for Combi boilers



Additional Information

WRAS approved
Minimum bar pressure required 0.5 bar

Zoom in for clearer image



Pressure (bar)	Flow rate (l/m)			
	Hot	Cold	Mixer	Shower Handset
0.5	17.55	18.60	22.98	8.17
1	23.57	25.44	32.43	12.53
1.5	28.92	31.47	39.68	16.12
2	34.01	36.46	46.52	19.05
3	41.24	44.85	56.87	24.96
4	48.26	51.87	66.34	30.17
5	53.74	57.93	74.25	37.52



'The information contained within this specification sheet is believed to be correct and complete at the time of creation. All photographs / drawings are as a guide only and do not necessarily represent the products available. Travis Perkins PLC reserves the right to change product details and price without prior notice. E&OE.' [04/2013]