

TECHNICAL DATA SHEET

Product Code:

354145

Description:

Dama-N Compact Base Unit (Right Hand)

Specification:

Size: L 418mm, W 302mm, H 585mm

Material: Vitreous China / MDF / PVC Wrap

Finish: White (Basin) / Dark Textured Wood (Unit)

Installation Type: Wall-hung / Wall-hung with Legs

Clean furniture with a soft, clean and damp cloth and a mild household cleaner (such as diluted washing up liquid).

Any stainless steel parts should be cleaned with a soft, lint free cloth and non-abrasive stainless steel cleaner. Spray directly on to the cloth and wipe clean.

Ensure bathroom is well ventilated to ensure the quality and appearance of the furniture is maintained.

Do not use abrasive cleaners or sharp objects when cleaning.

Do not leave chemicals such as hair dye, nail varnish remover or perfume on surfaces.

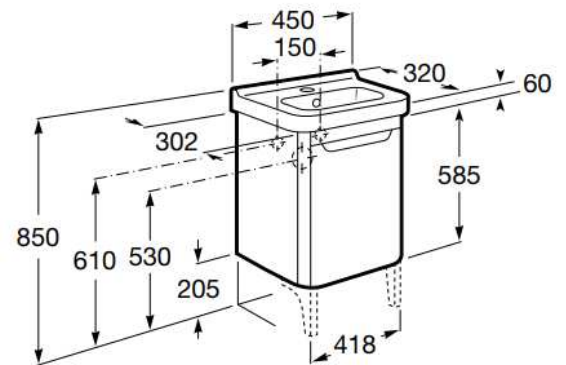
Do not overload drawer units as this can damage the drawer runners.

Do not leave water on the surface of the furniture, always wipe dry.

Product Image:



Technical Drawing:



'The information contained within this specification sheet is believed to be correct and complete at the time of creation. All photographs / drawings are as a guide only and do not necessarily represent the products available. Travis Perkins PLC reserves the right to change product details and price without prior notice. E&OE.'