

028

THERMOSTATIC VALVE
certified UNI - EN 215
Grant of licence brand Keymark

certificate RBM nr. 43

Technical characteristic Thermostatic valve and RBM thermostatic head series 590		Declared values
Thermostatic valve true to quality standard EN 215		 028
RBM thermostatic head true to quality standard EN 215		
Minimum regulation calibration (anti-frost position)	t_s min	7°C (*)
Maximum regulation calibration (position)	t_s max	30°C (5)
Saving condition (position)		20°C (3)
Maximum exercise pressure	PN	1000 KPa
Maximum differential pressure	ΔP	100 KPa
Minimum nominal flow rate "q _m N" (DP = 10 KPa) angle-straight DN15	q _m N	200–220 Kg/h
Minimum nominal flow rate "q _m N" (DP = 10 KPa) angle DN10	q _m N	210 Kg/h
Maximum exercise temperature		110°C
Maximum storage temperature		50°C
Hysteresis	C	0,4 K
Authority	a	0,9
Response time	Z	25 min
Differential pressure influence	D	0,3 K
Water temperature influence	W	1 K
Thermostatic valve supplied with manual regulating wheel (turning)		60°± 1K

IP1564.0-UK_00 TRADE SAVE

Mounting process

1. Remove the manual adjustment hand-wheel un-screwing it in counter-clockwise.
2. Set the thermostatic head numbered handle on "5" position, turning it in counter-clockwise.
3. Set the thermostatic head on the valve body centering the hexagon of the head and leaving the reference window adjustment up-sight or at least in visible position.
4. Screw the knurled metallic ring of the thermostatic head to the valve body till the complete locking (avoiding to force too much). After the head mounting process, turn the numbered handle for a few times from position "5" to position "*" for the parts settlement.

Temperature regulation

Regulation is obtained rotating the hand knob till the symbol correspondent to the desired temperature is positioned into the reference window. (approximate values)

Symbol	0	*	1	2	3	4	5
Value °C	4 ≈	7	10	15	20	25	30

(*) represents the anti-frost position, where the valve opens only when the environment-atmosphere temperature goes below 7°C. It is suggested during long absences in the winter time or while aerating the place. At position "0" the anti frost protection is not guaranteed.

The minimum declared temperature according to the norm is at position "*".

Warning:

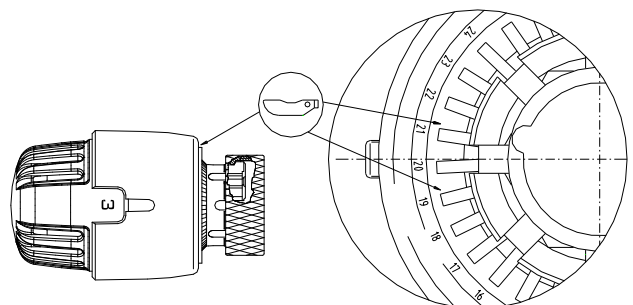
To preserve the good operation of RBM thermostatic head we suggest to **remove it during the summer time, while the heating system is inactive.**

Temperature restriction

After temperature regulation it is suggested to block the knob on itself or to limit the operation zone.

Blocking wheel on position "3" (20°C) example:

- Set nr. 3 into the symbol visualization window;
- You will see numbers on the wheel, those numbers are ref. to the temperature regulated by the thermostatic head;
- Search n°20 (correspondent to 20°C);
- Insert the dedicated inserts into the spaces close to n°20;
- The wheel will be blocked on symbol "3" position.



If you want to limit the regulation to a wider range of value displace the inserts into the desired positions.

Warning:

For movement blocking or movement limitation you should use the dedicated inserts **codes. 209.00.00** available as accessory.