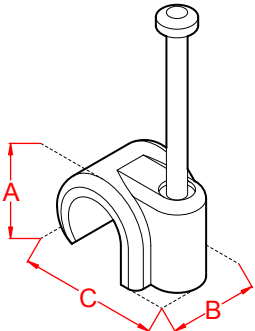


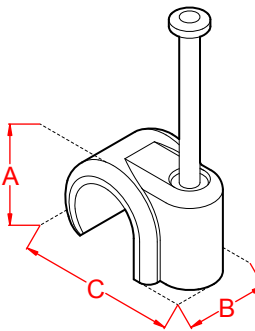
# The Masonry Nail Clip Range



Code: NCW08  
7-8 mm Nail Clip

DIM A = 10 mm  
DIM B = 9.5 mm  
DIM C = 14.5 mm

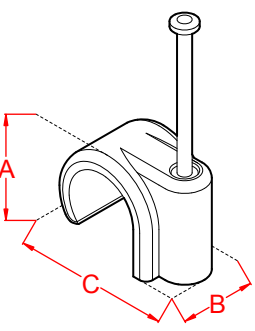
Nail size  
= 2.0 x 25 mm



Code: NCW10  
10-12 mm Nail Clip

DIM A = 13.5 mm  
DIM B = 12 mm  
DIM C = 20 mm

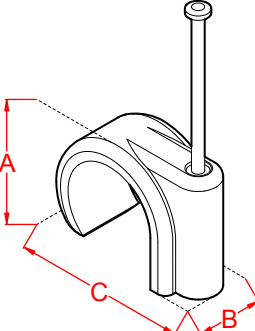
Nail size  
= 2.5 x 32 mm



Code: NCW15  
15 mm Nail Clip

DIM A = 20 mm  
DIM B = 15 mm  
DIM C = 27 mm

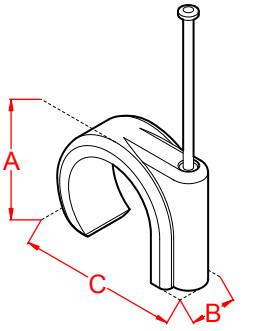
Nail size  
= 2.5 x 45 mm



Code: NCW22  
22 mm Nail Clip

DIM A = 27 mm  
DIM B = 15 mm  
DIM C = 36 mm

Nail size  
= 2.5 x 50 mm



Code: NCW28  
28 mm Nail Clip

DIM A = 33.5 mm  
DIM B = 15 mm  
DIM C = 43 mm

Nail size  
= 2.5 x 55 mm

**General information**

Standard colour: White (data sheet codes)  
(other colours including grey & black available on request)

Standard bag quantity: 100

Nail type: Zinc coated and hardened for use on masonry surfaces

**Screw-In Saddle Clips also available**

Code: SC10 10 mm Screw Clip  
Code: SC15 15 mm Screw Clip  
Code: SC22 22 mm Screw Clip  
Code: SC28 28 mm Screw Clip

Dimensions: Identical to masonry nail clip version  
Colour: White  
Fixing type: Size 8 round headed screw

**Timber Nail Clips also available**

Code: NCT10 10 mm Nail Clip  
Code: NCT15 15 mm Nail Clip  
Code: NCT22 22 mm Nail Clip

Dimensions: Identical to masonry nail clip version  
Colour: Special timber colouring  
Fixing type: Ring nail