

**Product Description: 450981-22mm Magnetic filter
256913-28mm Magnetic filter**

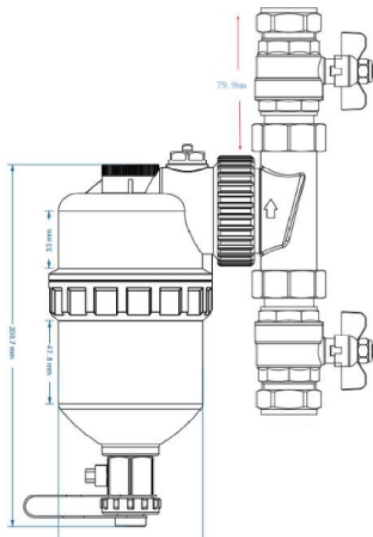
Product Specification

Material: ABS with brass valve

Size: 22mm 28mm

Technical Information:

Compression end compliant to BS EN 1254-2



Manufacture date: MM/YY

Size	DN	L	H	Kgs
22mm	22	76.5	208.7	1.62
28mm	28	76.5	208.7	1.96

Technical Data

Max pressure	4Bar
Max flow temperature	120°C
Strength of Magnetic	12000 gs

NO.	Part Name	Material	Qty
1	Magnetic Bar	Steel	1
2	Upper Filter body	ABS	1
3	cleaning cover	H62	1
4	Filter body	ABS	1
5	Drain off valve	Brass	1
6	Nut	Brass	1
7	Plastic filter	Plastic	1
8	Rotating joint	Plastic	1
9	Air vent	Brass	1
10	Ball valve	Brass	2
11	Spanner	Plastic	1

Guarantee Period:

5 Years against Manufacturing Defects