

# 820663

# BRISTAN ARINTO TLL BSN MXR ARN TBAS C

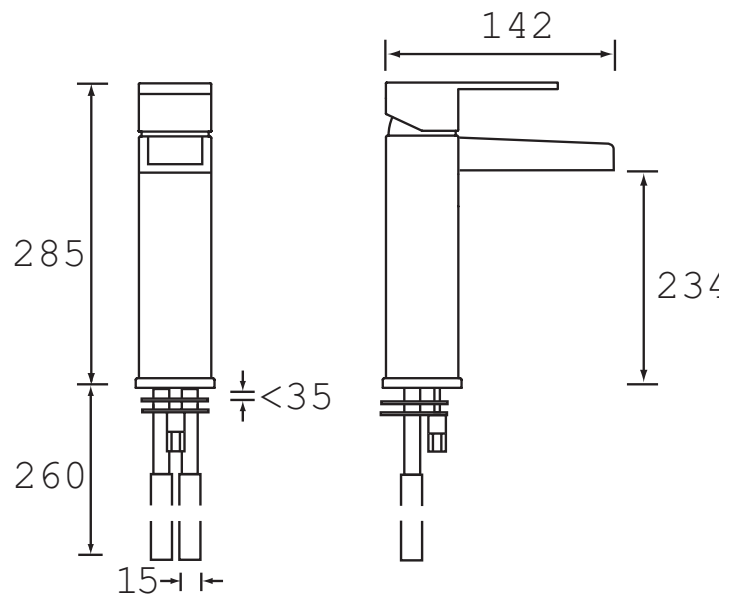


### Features:

- Metal fixing Nut
- Flexi tails
- Ceramic cartridge

Specification	
Style:	Contemporary
Product Type:	Tall Basin Mixer
Finish/Colour:	Chrome
Main Construction Material:	Brass
Mount Type:	Deck
Handle Type:	Turn
Connection Inlet:	15mm Compression Threaded Tail
Connection Outlet:	N/A
Number of Tap Holes:	1
Valve/Cartridge Type:	Manual
Plumbing System Requirements:	High Pressure
Working Pressure Range:	Min. 1.0 Bar, Max. 5.0 Bar
Maximum Hot Water Temperature: °C	65
Maximum Dynamic Pressure: (bar)	5
Maximum Static Pressure: (bar)	10
Flow Type:	Single
Flow Rate: (l/min @ 3 bar)	4.1
Isolation Included:	No

### Dimensions (measurements in mm)



### Flow Rates (l/min)

System Pressure (bar)	0.2	0.5	1	2	3	5
820663	-	-	2.4	3.6	4.1	5.3

THE  
BATHROOM  
SHOWROOM