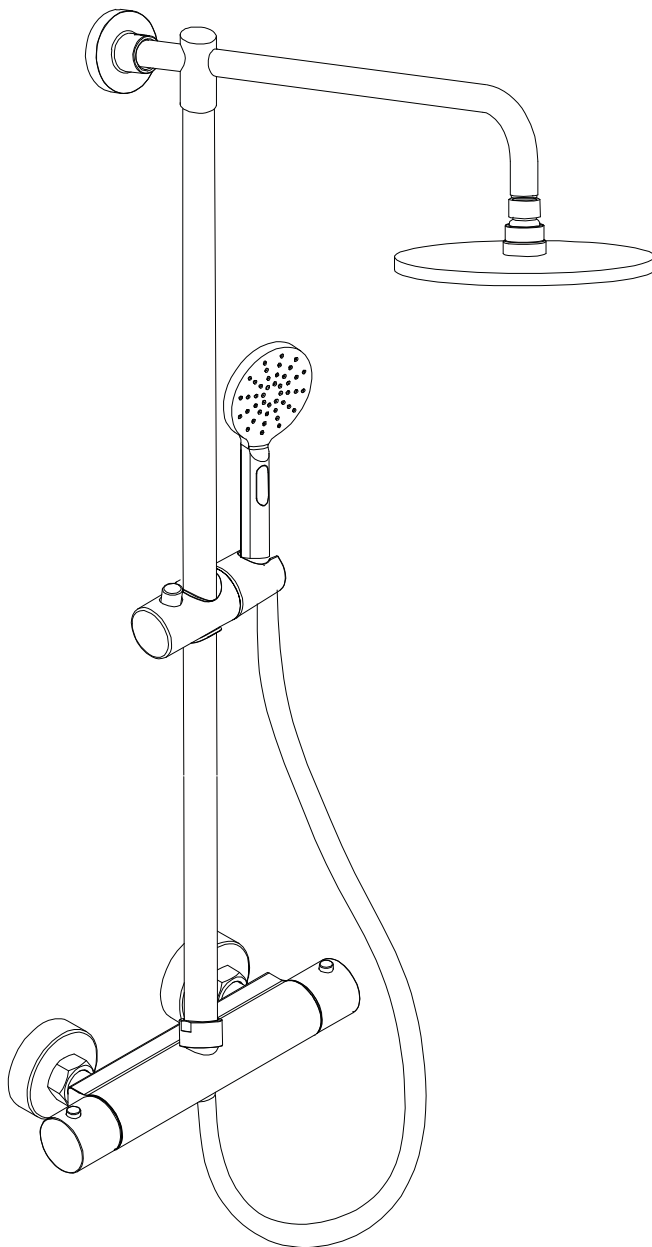


# Shower Thermostatic Mixer Fitting Instructions



Thank you for selecting this product.

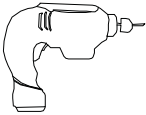
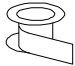
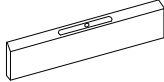

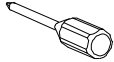
We have taken great care to ensure that this product reaches you in perfect condition. However should any parts be damaged or missing, please contact the retailer from where the product was purchased referencing the product description. This does not affect your statutory rights. In addition if you require replacement parts your point of purchase will be happy to assist.

<b>Contents</b>	<b>Page</b>
<b>Installation Notices</b>	<b>3</b>
<b>Component Listing</b>	<b>4</b>
<b>Technical Drawings</b>	<b>5</b>
<b>Installation Process</b>	<b>6-7</b>
<b>Product Operation and Maintenance</b>	<b>8</b>

## Installation Notices

**Safety Notice:** Prior to drilling into walls, check there are no hidden electrical wires, cables or water supply pipes. Always wear protective equipment such as safety glasses and hearing protection whilst using power tools.

### Tools for installation (not supplied)

		
Electric drill	PTFE Tape	Spirit Level
		
Wrench	Screw driver	

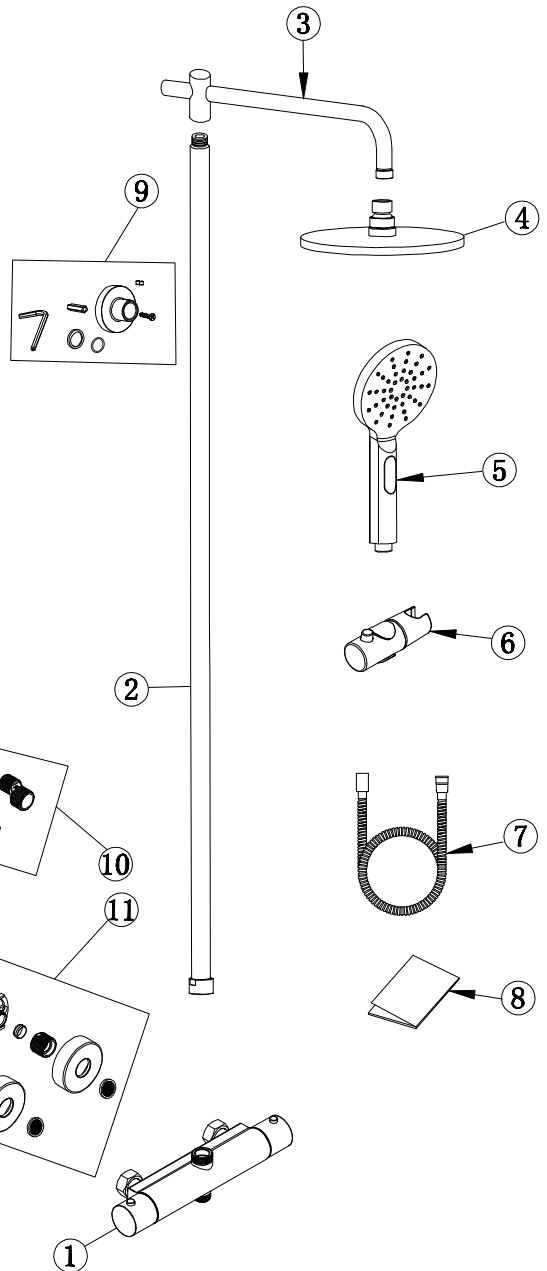
## Guarantee

**All product are manufactured to the highest standards and are covered by a 6 year manufacture's guarantee.\***

\* This does not affect your statutory rights

# Component Listing

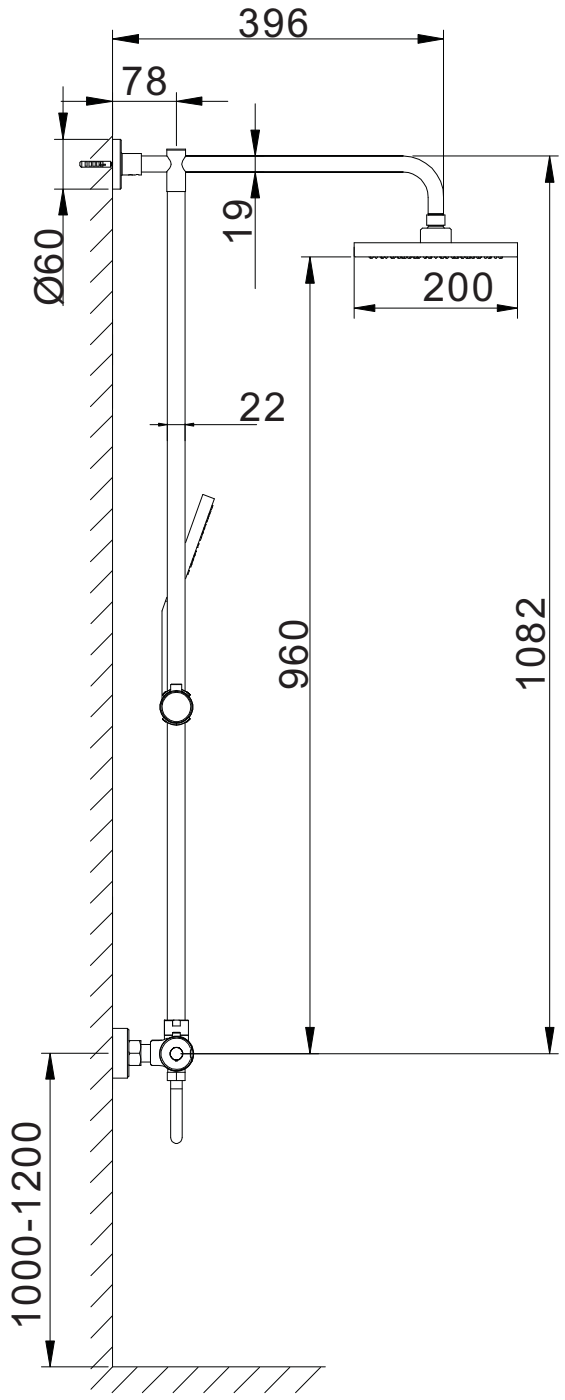
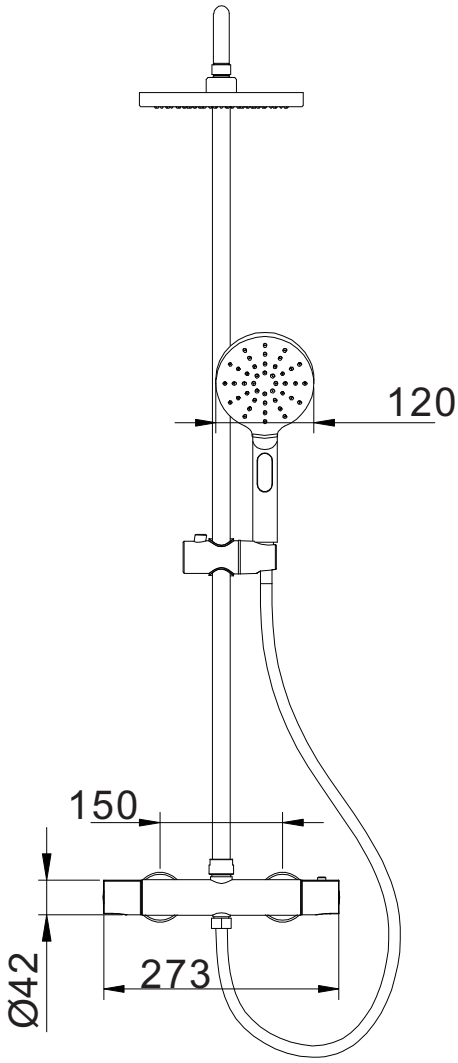
No.	Name	Qty
1	Shower Body	1
2	Vertical Pipe	1
3	Horizontal Pipe	1
4	Shower Head	1
5	Shower Handset	1
6	Shower Handset Holder	1
7	Shower Hose	1
8	Instructions	1
9	Pipe Bracket	1
10	Pipe Couplers	2
11	Easy Fix Kit	1



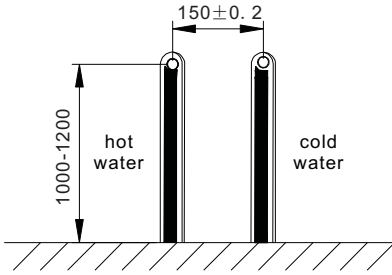
	Wall Plate
	Olive
	Union
	Cover Plate
	Filler

\*Important note: - Screws and wall plugs provided are for solid wall types only.

Technical Drawings

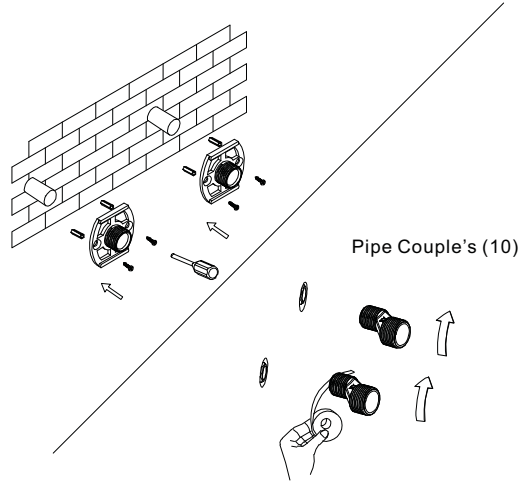


# Installation Procedure

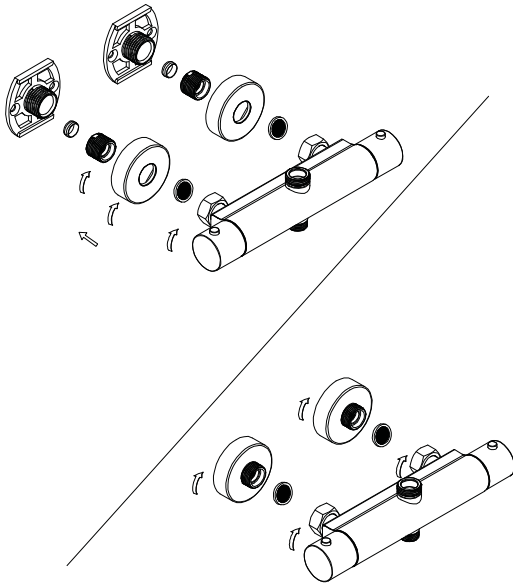


1. Pipe work centers should measure 150mm in distance and  $\geq 25$ mm of protrusion from the wall to aid fitment.

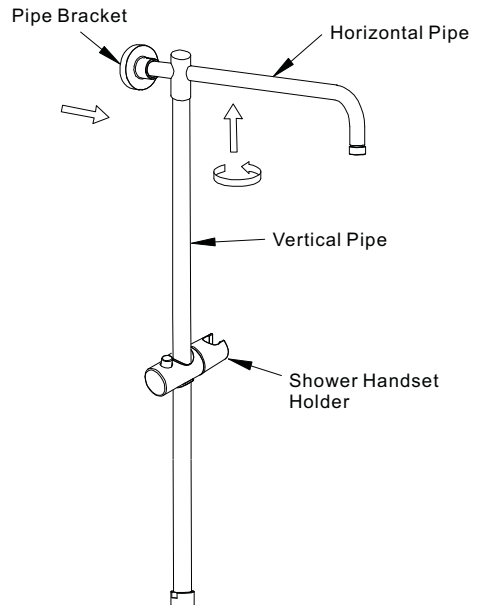
Easy Fix Kit (11)



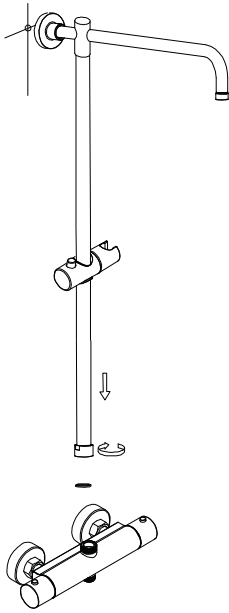
2. For your benefit we have included two types of fittings with this shower- you only need to choose the one that best fits your particular installation.



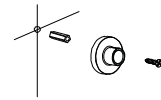
3. When attaching the shower Body (1) to the shower fixing kits, ensure the 15mm olive, pipe coupler, cover plate and filter are all inserted first before securing the shower body in place.



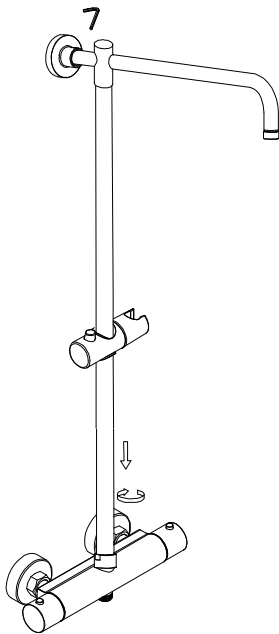
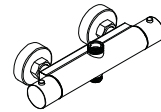
4. Connect the horizontal pipe (2) and the vertical pipe (3).



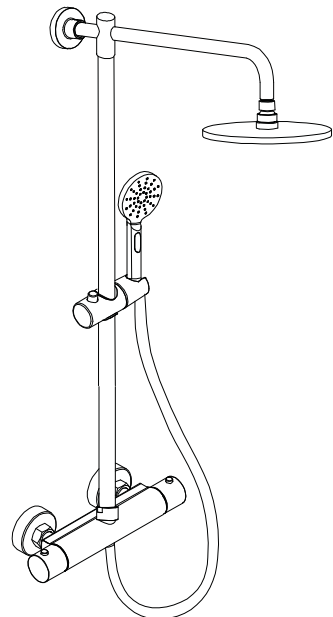
5. Attach the pipe and mark the desired location for the horizontal pipe bracket (9).



6. Remove the pipe and secure pipe bracket(9) into the position previously marked using the screws provided.



7. Attach the pipe on to the shower body (ensuring the included washer is used to prevent leakage) and secure the retaining nut and the grub screw in the riser rail bracket (using Allen key provided).

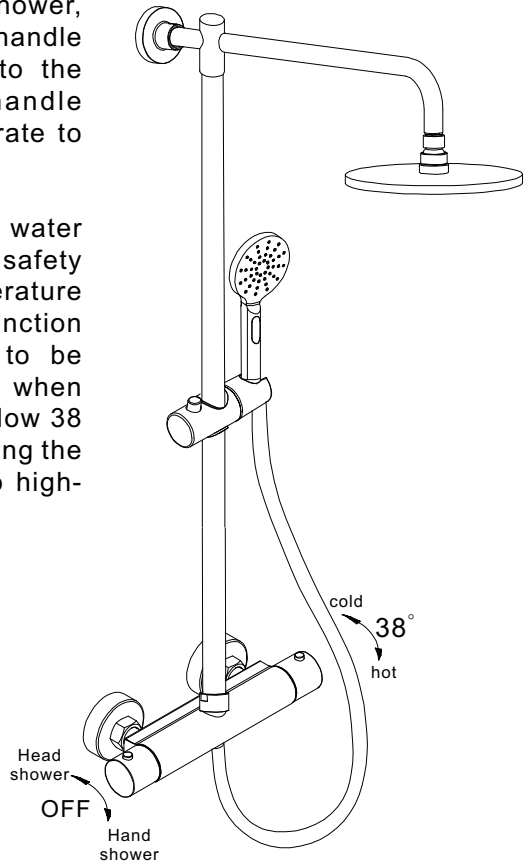


8. Attach the shower Head (4) to the pipe (ensuring the included washer is used to prevent leakage) and attach the shower hose (7) to the shower body and shower handset (5)

## Product Operation and Maintenance

1. Turning the left handle of the shower, controls the flow rate and turning the handle anti-clockwise will increase the flow to the main shower head. Turning the handle clockwise will increase the water flow rate to the shower handset.

2. Turning the right handle controls the water temperature. To prevent scalding, a safety feature of the shower includes a temperature stop at 38 degrees. To override this function the button on the handle will need to be pressed. If overriding the temperature when finished, please return the handle to below 38 degrees as to ensure the next person using the shower does not risk being exposed to high-temperature water.



## Products Maintenance

- Whilst modern plating techniques are used during the manufacturing of this product, if not correctly cleaned and cared for -the life of the product will be reduced.
- It is recommended that your product be cleaned with a soft damp cloth only, harsh stains should be removed using washing up liquid.
- Use of chemicals/scourers will damage the plated surface.