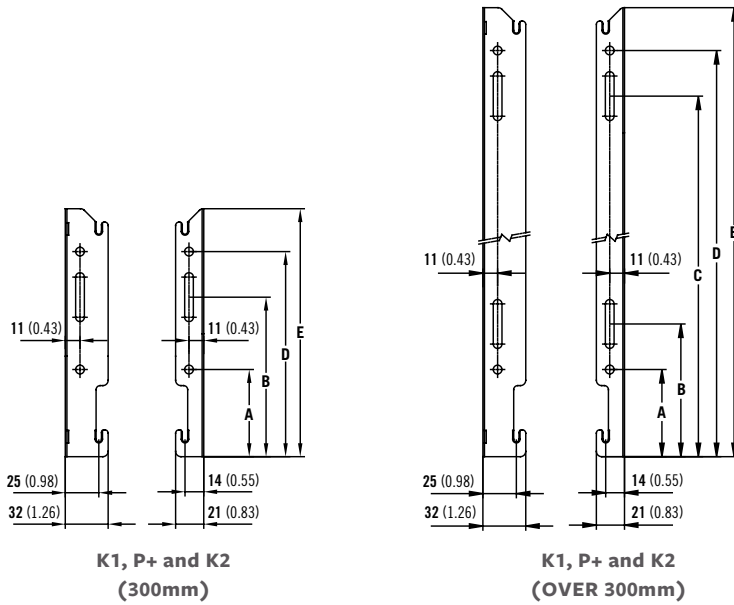


SOFTLINE COMPACT

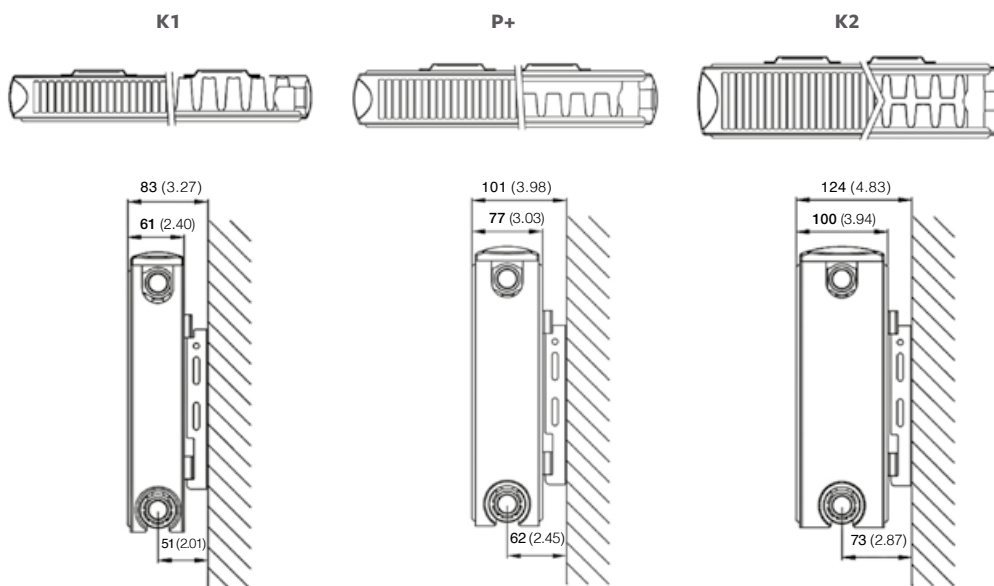
Softline Series

MOUNTING BRACKETS

All dimensions in mm. Inches in brackets.



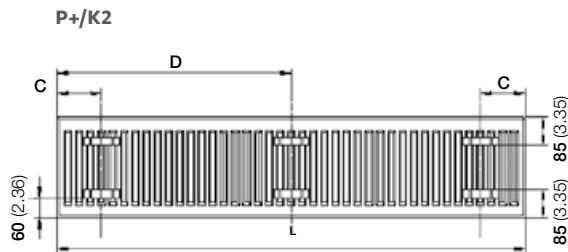
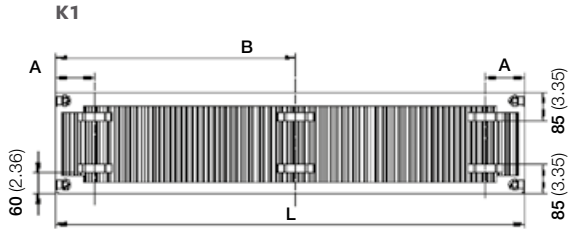
| Dimensions | mm | inches | mm | inches | mm | inches | mm | inches |
|------------|-----|--------|-----|--------|-----|--------|-----|--------|
| Height | 300 | 11.81 | 450 | 17.72 | 600 | 23.62 | 700 | 27.56 |
| A | 65 | 2.56 | 65 | 2.56 | 65 | 2.56 | 65 | 2.56 |
| B | 119 | 4.69 | 99 | 3.90 | 99 | 3.90 | 99 | 3.90 |
| C | - | - | 269 | 10.59 | 419 | 16.50 | 519 | 20.43 |
| D | 153 | 6.02 | 303 | 11.93 | 453 | 17.83 | 553 | 21.77 |
| E | 185 | 7.28 | 335 | 13.19 | 485 | 19.09 | 585 | 23.03 |



SOFTLINE COMPACT

Softline Series

K1, P+ & K2 LUG POSITIONS (New as of June 2016).
All dimensions in mm. Inches in brackets.

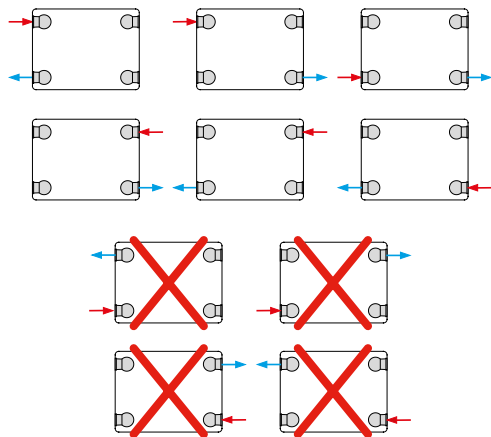


| L | K1 | | | | P+/K2 | | | |
|-------------|-----|------|------------|----|-------|------|-----|----|
| | A | | B | | C | | D | |
| | mm | in | mm | in | mm | in | mm | in |
| 400 | 117 | 4.60 | - | - | 133 | 5.24 | - | - |
| 500 - 1100 | 150 | 5.90 | - | - | 133 | 5.24 | - | - |
| 1200 - 1600 | 150 | 5.90 | - | - | 133 | 5.24 | - | - |
| 1800 - 2000 | 150 | 5.90 | (L/2) + 17 | | 133 | 5.24 | L/2 | |

CONNECTIONS

Each radiator comes with 1/2" inlet connections as standard.

PIPING OPTIONS



SOFTLINE COMPACT

Softline Series

EN 442 CERTIFICATION DATA - CETIAT TESTED IN ACCORDANCE WITH BS EN 442

| Type | K1 | | | | P+ | | K2 | | | |
|---|------|-------|-------|-------|-------|-------|-------|-------|-------|-------|
| | 300 | 450 | 600 | 700 | 450 | 600 | 300 | 450 | 600 | 700 |
| Height | 300 | 450 | 600 | 700 | 450 | 600 | 300 | 450 | 600 | 700 |
| W/m at 75/65/20 | 509 | 756 | 980 | 1117 | 1055 | 1345 | 982 | 1371 | 1732 | 1961 |
| n-coefficients | 1.32 | 1.31 | 1.29 | 1.29 | 1.34 | 1.33 | 1.33 | 1.33 | 1.33 | 1.34 |
| Heated surface area (m ² /m) | 2.09 | 3.37 | 4.66 | 5.51 | 3.84 | 5.24 | 3.51 | 5.62 | 7.74 | 9.15 |
| Weight (kg/m) | 9.31 | 14.51 | 19.70 | 22.90 | 22.04 | 29.80 | 16.80 | 25.90 | 35.00 | 40.53 |
| Water contents (l/m) | 1.89 | 2.57 | 3.25 | 3.77 | 5.15 | 6.60 | 3.70 | 5.15 | 6.60 | 7.63 |
| Wall to tap centre (mm) | 51 | 51 | 51 | 51 | 62 | 62 | 73 | 73 | 73 | 73 |

PRESSURE DROPS

