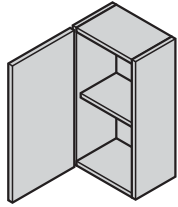
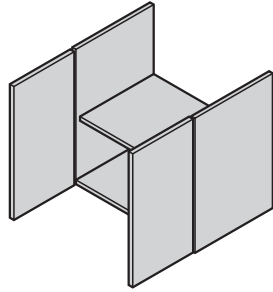


Mirror, Wall Units - Installation Guide



300 wide
Wall Unit
190 deep



600 wide
Vanity Unit
380 deep

GUARANTEE

We have taken great care to ensure that this product reaches you in perfect condition. However should any parts be damaged or missing, please contact your point of purchase. This does not affect your statutory rights.

In addition, if you require replacement parts your point of purchase will be happy to assist.

SAFETY WARNINGS

- Handle product with care.
- When drilling walls, check first for hidden pipes and cables.
- Use safety eyewear when drilling.
- Keep all small parts away from children.
- If the product is over 20 kg (see packaging), 2 people are required to carry and install the unit.

IMPORTANT NOTES

- Ensure all cut outs for plumbing are carried out prior to installation.
- Check all product contents and read instructions before starting installation.
- All exposed edges of timber need to be treated or sealed using PVA.

Tools Required (Not Included)

- Pozidrive Screwdriver
- Pencil
- 2.5mm & 5mm Drill Bits or as compatible with alternative fixings for the wall structure.
- Hammer
- Tape Measure
- Power Drill
- Spirit Level

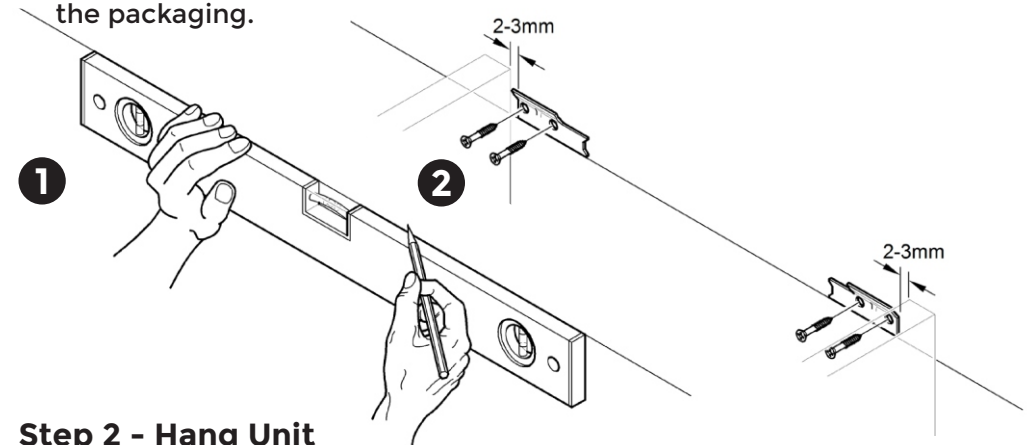
Fittings and Parts

- (Supplied)
- 4 x Wall Plates
 - 8 x Screws
 - 8 x Wall Plugs

Check & remove plastic film from the doors before attaching the handle to the door/drawer front.

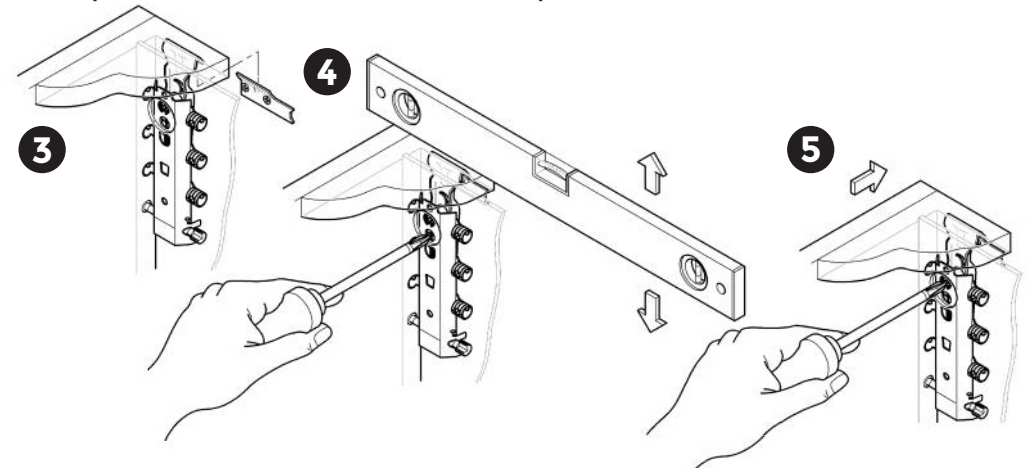
Step 1 - Wall fixings

- Decide on the height of the Mirror Unit and, using a spirit level, draw a horizontal line to work to (1).
- Mark out the internal dimensions of the unit making sure the plates are within the internal dimensions of the unit by 2-3 mm (2).
- Using a Power Drill along with the Wall Plugs and Screws provided, fix the plates in place.
- If the wall is not solid, you will need to use your own fixings. Ensure that they are adequate to support the total weight of the Unit as stated on the packaging.



Step 2 - Hang Unit

- Hang the unit on the Wall Mounting plates (3).
- Remove the back mirror panel. Level the unit using your spirit level and adjusting the screw on the bottom of the Hanging Bracket (4).
- Once level, screw on the front of the Hanging Bracket to tighten the Unit to the wall (5).
- Replace the removable back mirror panel.



Drawer Front - Installation Guide

GUARANTEE

We have taken great care to ensure that this product reaches you in perfect condition. However should any parts be damaged or missing, please contact your point of purchase. This does not affect your statutory rights.

In addition, if you require replacement parts your point of purchase will be happy to assist.

SAFETY WARNINGS

- Handle product with care.
- When drilling walls, check first for hidden pipes and cables.
- Use safety eyewear when drilling.
- Keep all small parts away from children.
- If the product is over 20 kg (see packaging), 2 people are required to carry and install the unit.

IMPORTANT NOTES

- Ensure all cut outs for plumbing are carried out prior to installation.
- Check all product contents and read instructions before starting installation.
- All exposed edges of timber need to be treated or sealed using PVA.

Tools Required (Not Included)

- Pozidrive Screwdriver
- Flat Blade Screwdriver

Fittings and Parts Supplied

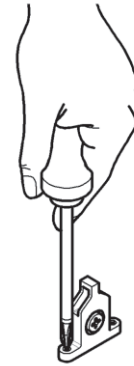
There are no separate fittings or parts supplied as the Drawer Clips and Sides are supplied complete with all fittings.

Check & remove plastic film from the doors before attaching the handle to the door/drawer front.

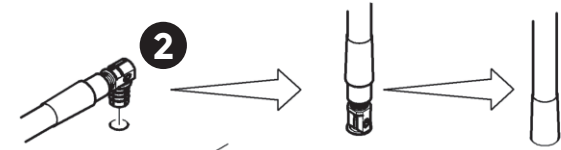
1

Step 1 - Secure Drawer Clip

- Remove Drawer Front from packaging and place on a flat surface.
- Ensure that the Drawer Clips are securely attached to the Drawer Front using a Pozidrive Screwdriver(1).



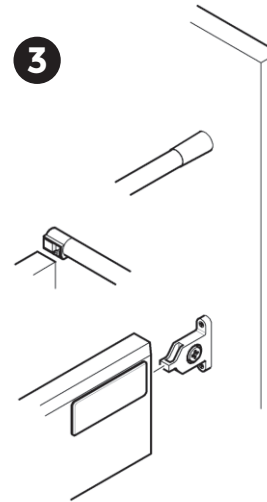
2



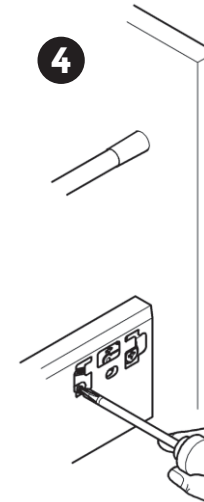
Step 2 - Fit Drawer Rails

- Push the clip on the Drawer Rails into the Drawer Front and bring the Rail upright to lock. Slide the cover over the clip (2).

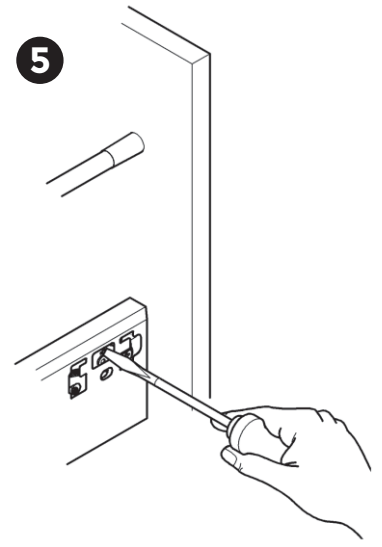
3



4



5



Step 3 - Attach Drawer Front Step 4 -Adjust Drawer Front

- Position the Drawer Front so that the Hinges align with the Drawer Sides on the Drawer Box (3).
- Support the back of the Drawer Box and push the Drawer Front onto the Drawer Sides.
- Clip Rail into the Drawer Side.
- If the Drawer Front requires alteration, remove cover cap and adjust screw to the left with the Pozidrive Screwdriver (4).
- To remove the Drawer Front, turn the middle screw 90° anticlockwise with the Flat Blade Screwdriver (5).