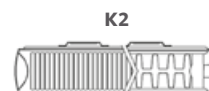


SOFTLINE COMPACT

Softline Series

50 Δt
(75/65/20°C)



Height mm	Length mm	K1					P+					K2				
		Stelrad UIN	Heat output Watts	Heat output Btu/hr	Price excl VAT	Price incl VAT	Stelrad UIN	Heat output Watts	Heat output Btu/hr	Price excl VAT	Price incl VAT	Stelrad UIN	Heat output Watts	Heat output Btu/hr	Price excl VAT	Price incl VAT
300	500	80301105	255	870	£36.11	£43.33	-	-	-	-	-	80302205	491	1676	£52.45	£62.94
	1000	80301110	509	1737	£64.45	£77.34	-	-	-	-	-	80302210	982	3352	£94.34	£113.21
	1500	80301115	764	2608	£96.81	£116.17	-	-	-	-	-	80302215	1473	5027	£141.59	£169.91
	2000	80301120	1018	3474	£124.47	£149.36	-	-	-	-	-	80302220	1964	6703	£188.86	£226.63
450	400	80451104	302	1031	£35.15	£42.18	-	-	-	-	-	80452204	548	1870	£48.31	£57.97
	500	80451105	378	1290	£39.16	£46.99	-	-	-	-	-	80452205	686	2341	£58.58	£70.30
	600	80451106	454	1550	£44.16	£52.99	-	-	-	-	-	80452206	823	2809	£69.40	£83.28
	700	80451107	529	1805	£48.69	£58.43	-	-	-	-	-	80452207	960	3276	£80.45	£96.54
	800	80451108	605	2065	£52.56	£63.07	-	-	-	-	-	80452208	1097	3744	£90.72	£108.86
	900	80451109	680	2321	£57.36	£68.83	-	-	-	-	-	80452209	1234	4212	£102.07	£122.48
	1000	80451110	756	2580	£63.77	£76.52	80452110	1055	3601	£92.96	£111.55	80452210	1371	4679	£113.48	£136.18
	1100	80451111	832	2840	£70.21	£84.25	80452111	1161	3962	£102.28	£122.74	80452211	1508	5147	£124.85	£149.82
	1200	80451112	907	3096	£76.58	£91.90	80452112	1266	4321	£111.59	£133.91	80452212	1645	5614	£136.19	£163.43
	1400	80451114	1058	3611	£89.41	£107.29	80452114	1477	5041	£130.19	£156.23	80452214	1919	6550	£158.96	£190.75
	1600	80451116	1210	4130	£102.23	£122.68	80452116	1688	5761	£148.80	£178.56	80452216	2194	7488	£181.76	£218.11
	1800	80451118	1361	4645	£115.06	£138.07	-	-	-	-	-	80452218	2468	8423	£204.52	£245.42
2000	80451120	1512	5160	£127.87	£153.44	-	-	-	-	-	80452220	2742	9358	£227.24	£272.69	
600	400	80601104	392	1338	£40.51	£48.61	80602104	538	1836	£54.49	£65.39	80602204	693	2365	£60.07	£72.08
	500	80601105	490	1672	£46.42	£55.70	80602105	673	2297	£65.18	£78.22	80602205	866	2956	£72.82	£87.38
	600	80601106	588	2007	£52.02	£62.42	80602106	807	2754	£74.92	£89.90	80602206	1039	3546	£86.33	£103.60
	700	80601107	686	2341	£58.70	£70.44	80602107	942	3215	£85.00	£102.00	80602207	1212	4137	£100.10	£120.12
	800	80601108	784	2676	£65.22	£78.26	80602108	1076	3672	£97.55	£117.06	80602208	1386	4730	£113.74	£136.49
	900	80601109	882	3010	£73.78	£88.54	80602109	1211	4133	£109.93	£131.92	80602209	1559	5321	£127.14	£152.57
	1000	80601110	980	3345	£82.36	£98.83	80602110	1345	4590	£122.30	£146.76	80602210	1732	5911	£143.21	£171.85
	1100	80601111	1078	3679	£90.97	£109.16	80602111	1480	5051	£133.28	£159.94	80602211	1905	6502	£155.49	£186.59
	1200	80601112	1176	4014	£99.55	£119.46	80602112	1614	5509	£147.09	£176.51	80602212	2078	7092	£172.72	£207.26
	1400	80601114	1372	4683	£117.91	£141.49	80602114	1883	6427	£169.67	£203.60	80602214	2425	8277	£202.33	£242.80
	1600	80601116	1568	5352	£129.47	£155.36	80602116	2152	7345	£193.96	£232.75	80602216	2771	9457	£226.41	£271.69
	1800	80601118	1764	6021	£145.69	£174.83	-	-	-	-	-	80602218	3118	10642	£254.78	£305.74
2000	80601120	1960	6689	£161.95	£194.34	-	-	-	-	-	80602220	3464	11823	£281.05	£337.26	
700	400	80701104	447	1526	£48.94	£58.73	-	-	-	-	-	80702204	784	2676	£69.12	£82.94
	500	80701105	559	1908	£55.04	£66.05	-	-	-	-	-	80702205	981	3348	£83.87	£100.64
	600	80701106	670	2287	£61.78	£74.14	-	-	-	-	-	80702206	1177	4017	£99.45	£119.34
	700	80701107	782	2669	£69.14	£82.97	-	-	-	-	-	80702207	1373	4686	£115.37	£138.44
	800	80701108	894	3051	£75.85	£91.02	-	-	-	-	-	80702208	1569	5355	£130.17	£156.20
	900	80701109	1005	3430	£85.33	£102.40	-	-	-	-	-	80702209	1765	6024	£146.51	£175.81
	1000	80701110	1117	3812	£94.89	£113.87	-	-	-	-	-	80702210	1961	6693	£162.84	£195.41
	1100	80701111	1229	4195	£104.44	£125.33	-	-	-	-	-	80702211	2157	7362	£179.16	£214.99
	1200	80701112	1340	4573	£113.94	£136.73	-	-	-	-	-	80702212	2353	8031	£195.51	£234.61
	1400	80701114	1564	5338	£133.02	£159.62	-	-	-	-	-	80702214	2745	9369	£228.17	£273.80
	1600	80701116	1787	6099	£152.06	£182.47	-	-	-	-	-	80702216	3138	10710	£260.88	£313.06
	1800	80701118	2011	6864	£171.19	£205.43	-	-	-	-	-	80702218	3530	12048	£293.55	£352.26
2000	80701120	2234	7625	£190.21	£228.25	-	-	-	-	-	80702220	3922	13386	£326.21	£391.45	

Δt50 is the UK's industry standard for heating outputs, which has an operating temperature of 75/65/20°C. If you have a low temperature heat source you may wish to consider Δt40 or Δt30 output (see your installer or system designer or download from www.stelrad.com).

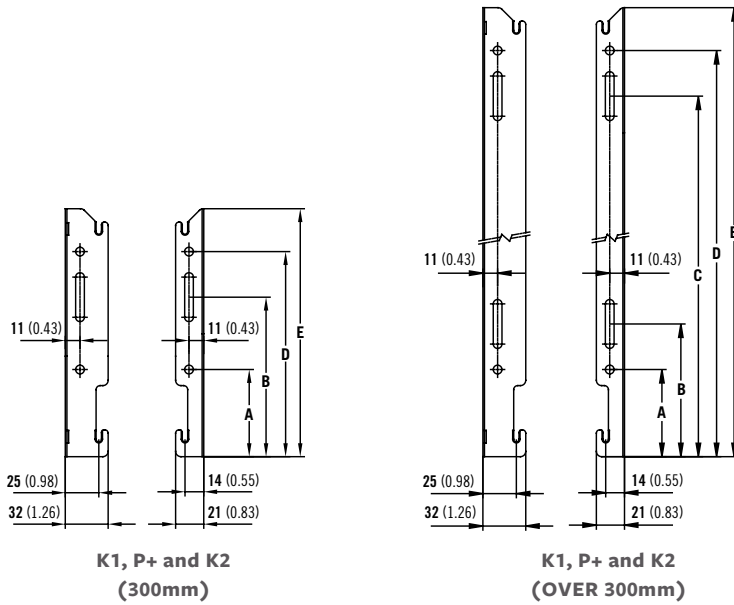
For EN442 data, technical and installation information please visit our website: www.stelrad.com and search product downloads.

SOFTLINE COMPACT

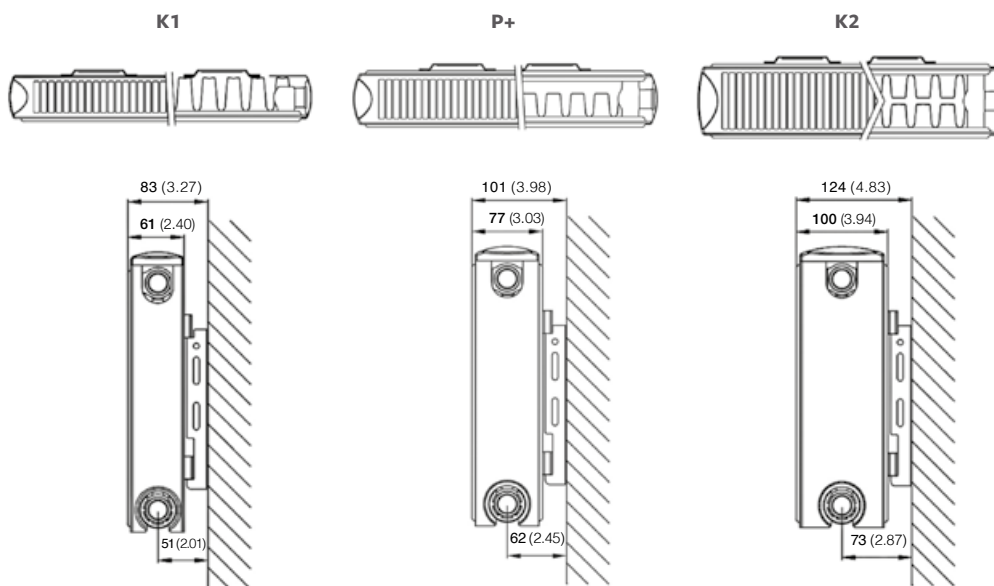
Softline Series

MOUNTING BRACKETS

All dimensions in mm. Inches in brackets.



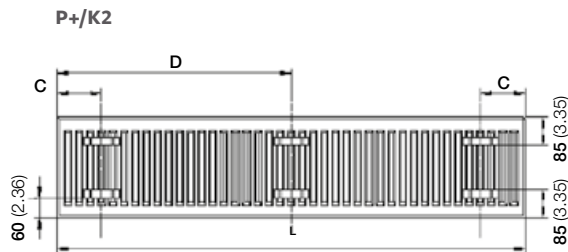
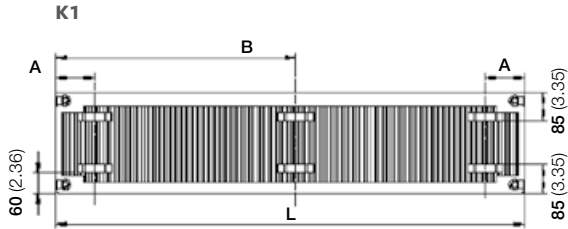
Dimensions	mm	inches	mm	inches	mm	inches	mm	inches
Height	300	11.81	450	17.72	600	23.62	700	27.56
A	65	2.56	65	2.56	65	2.56	65	2.56
B	119	4.69	99	3.90	99	3.90	99	3.90
C	-	-	269	10.59	419	16.50	519	20.43
D	153	6.02	303	11.93	453	17.83	553	21.77
E	185	7.28	335	13.19	485	19.09	585	23.03



SOFTLINE COMPACT

Softline Series

K1, P+ & K2 LUG POSITIONS (New as of June 2016).
All dimensions in mm. Inches in brackets.

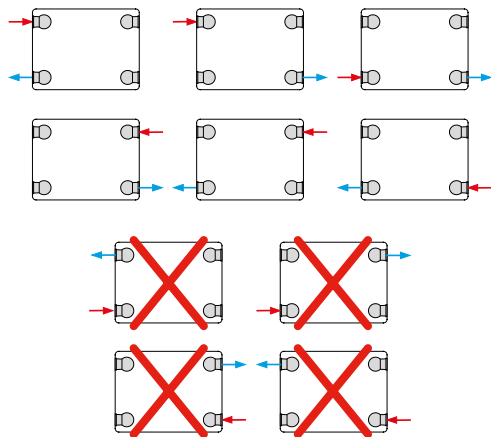


L	K1				P+/K2			
	A		B		C		D	
	mm	in	mm	in	mm	in	mm	in
400	117	4.60	-	-	133	5.24	-	-
500 - 1100	150	5.90	-	-	133	5.24	-	-
1200 - 1600	150	5.90	-	-	133	5.24	-	-
1800 - 2000	150	5.90	(L/2) + 17		133	5.24	L/2	

CONNECTIONS

Each radiator comes with 1/2" inlet connections as standard.

PIPING OPTIONS



SOFTLINE COMPACT

Softline Series

EN 442 CERTIFICATION DATA - CETIAT TESTED IN ACCORDANCE WITH BS EN 442

Type	K1				P+		K2			
	300	450	600	700	450	600	300	450	600	700
Height	300	450	600	700	450	600	300	450	600	700
W/m at 75/65/20	509	756	980	1117	1055	1345	982	1371	1732	1961
n-coefficients	1.32	1.31	1.29	1.29	1.34	1.33	1.33	1.33	1.33	1.34
Heated surface area (m ² /m)	2.09	3.37	4.66	5.51	3.84	5.24	3.51	5.62	7.74	9.15
Weight (kg/m)	9.31	14.51	19.70	22.90	22.04	29.80	16.80	25.90	35.00	40.53
Water contents (l/m)	1.89	2.57	3.25	3.77	5.15	6.60	3.70	5.15	6.60	7.63
Wall to tap centre (mm)	51	51	51	51	62	62	73	73	73	73

PRESSURE DROPS

