



THE
BATHROOM
SHOWROOM

TECHNICAL DATA SHEET

Product Code:

297377

Description:

Victoria-N Reversible Column Unit

Specification:

Size: L 300mm, W 236mm, H 1500mm

Material: Particle Board / Melamine

Finish: Gloss White (Lacquered)

Installation Type: Wall-mounted (optional leg support available)

Clean furniture with a soft, clean and damp cloth, warm water and a mild household cleaner (such as diluted washing-up liquid).

Any stainless steel parts should be cleaned with a soft, lint-free cloth and non-abrasive stainless steel cleaner. Spray directly on to the cloth and wipe clean.

Ensure the bathroom is well ventilated to ensure the quality and appearance of the furniture is maintained.

Do not use abrasive cleaners or sharp objects when cleaning.

Do not leave chemicals such as hair dye, nail varnish remover or perfume on surfaces.

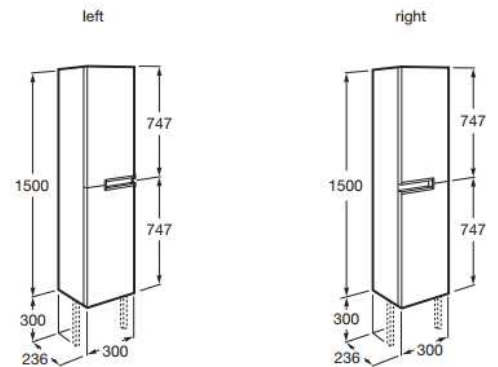
Do not overload drawer units as this can damage the drawer runners.

Do not leave water on the surface of the furniture, always wipe dry.

Product Image:



Technical Drawing:



'The information contained within this specification sheet is believed to be correct and complete at the time of creation. All photographs / drawings are as a guide only and do not necessarily represent the products available. Travis Perkins PLC reserves the right to change product details and price without prior notice. E&OE.'